

PLEASE READ THE INSTRUCTIONS BEFORE FITTING THE KIT
If you have a problem, however small, call our Technical Department.
Tel:- 01925 636950. Fax:- 01925 243111. Mon - Thurs 8.30 - 5pm.

- 1 Remove the complete air box assembly, including the Mass Air Sensor, **MAS** from the rubber intake hose. Remove the plug.
- 2 Remove the **MAS** from the air filter box.
- 3 Fit the new flange to the **MAS**. The flange must be fitted **correctly** (it will fit two ways) **check**. Use three of the M6 x 16 screws and one M6 x 20 (to support the new bracket). Attach with the four lock washers and nuts, **Drawing A**.
- 4 Fit the **MAS** to the intake hose (don't fully tighten the clip yet). Rotate the **MAS** until the bracket **sits flush** to the inner wing, **Drawing A & B**. Tighten hose clip.
- 5 Mark through the hole in the bracket and drill a 6mm hole. Attach with screw, lock washer and nut. Replace the plug.
- 6 **Fitting the filter.** Do not overtighten the hose clip.
- 7 Raise both sides of the car **taking all the necessary safety precautions**.
- 8.1 Remove the plastic undertray and cut out the section shown in **Drawing C** and drill the 6mm hole as shown.
- 8.2 Alternatively the section can be cut out from under the car.
- 8.3 In both cases a shortened hacksaw blade, taped at one end, will be adequate.
- 8.4 Replace the plastic undertray.
- 8.5 **Carefully** expand the flexi hose to approx. 26" / 66cm. Elongate the intake end of the flexi hose by **gently** tapping with the palm of the hand (**don't press**) to create extra clearance for the hose, **Drawing C**, and prevent damage from kerb's etc.
- 8.6 Pierce a small hole in the flexi hose and attach to the 6mm hole in the undertray using the medium sized plastic tie.
- 8.7 Feed the cold air hose through the new cut out and alongside the rubber intake hose, to finish close to the new bracket. Attach with a long plastic tie as shown.
- 8.8 Do not alter the position of the cold air hose, **Drawing B & D**.

**IT IS ESSENTIAL THAT THE COLD AIR SYSTEM IS FITTED
CORRECTLY, IN PARTICULAR TURBO CARS.**

- 9 **Tuning.** We suggest that a simple **CO** test is carried out, as some cars may be set weaker than the standard setting. The **CO** figure should not be set at more than **0.5%** above the recommended figure.
- 10 **Filter maintenance.**
Under normal conditions, clean and reoil the filter at approx. 40,000miles / 65,000 km.
Use only K&N cleaner and oil and follow the instructions carefully.

K&N filters are pre oiled ready to fit**The advantages of K&N's cold air intake system**

Cooler air, being denser, will show positive improvements in power over filter systems that draw hot air from the engine bay.

This Kit Should Contain :-

- 1 x Air filter.
- 1 x Hose clip size 48.
- 1 x Cold air hose assembly.
- 1 x Bracket.
- 1 x Instruction sheet.
- 1 x Instruction pack:-
 - 1 x Filter maintenance sheet.
 - 1 x K&N window sticker.
 - 1 x Million mile warranty card.
 - 1 x Leaflet.
- 1 x Fixing kit containing :-
 - 1 x Plastic Adaptor Flange.
 - 1 x Plastic cable tie (35cm long).
 - 1 x Plastic cable tie (19cm long).
 - 5 x 6mm spring washers.
 - 5 x M6 hex nuts.
 - 4 x M6 x 16 hex screws.
 - 1 x M6 x 20 hex screw.

**IMPORTANT INSTRUCTIONS
FOR ROUND ENTRY
CLAMP ON AIR FILTERS**

Gently tighten the hose clip to the point where the filter will just rotate on the pipe or intake flange. Reposition the K&N logo straight, then **give the clip two turns i.e. 360 , no more.**

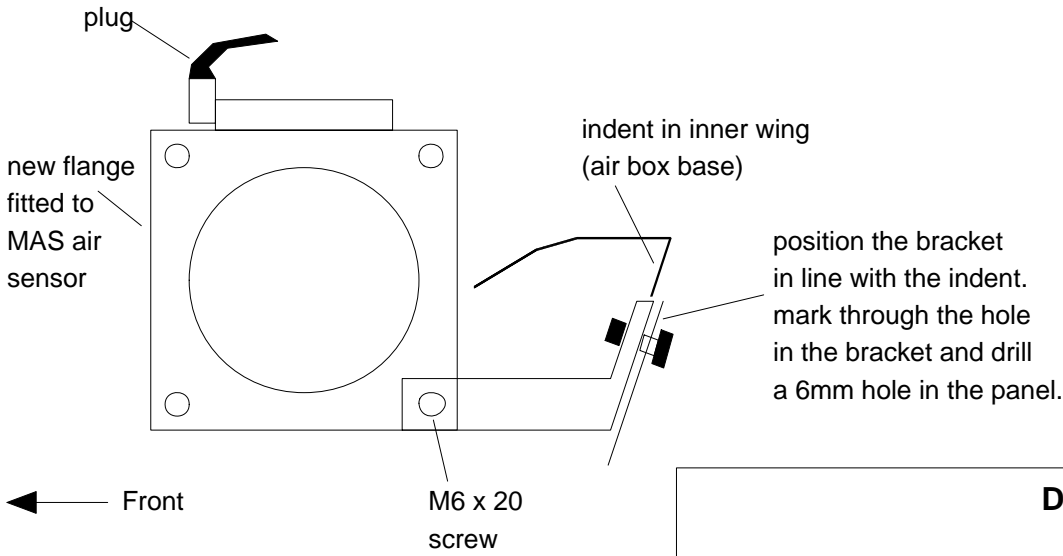
FITTING YOUR OWN 57i KIT

If not, **it is essential** that the person fitting the kit (e.g. mechanic) **carefully follows these particular instructions** even if he has fitted K&N kits before. This will save you both time and money. Kits incorrectly fitted may show a loss in performance e.g. the positioning of the essential cold air hose, (flexi expandable and rubber hoses are used).

A final check under the bonnet, by yourself, with the instructions, would seem sensible.

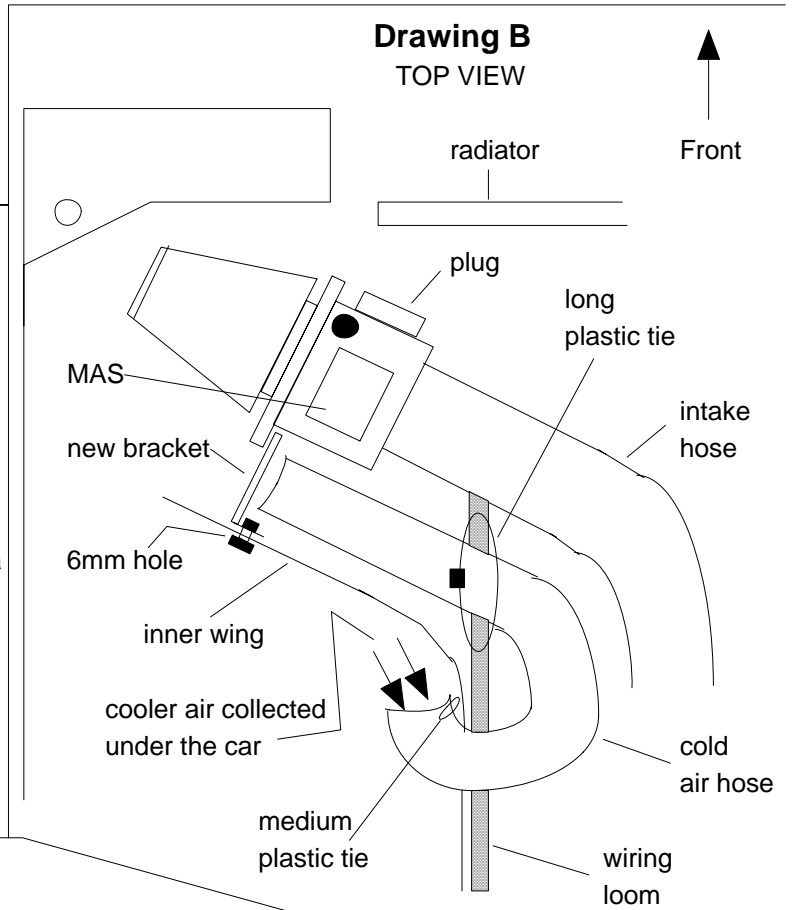
PLEASE NOTE

On some Turbo cars there can be an increase in noise levels on deceleration once the airbox has been removed. This is normal.

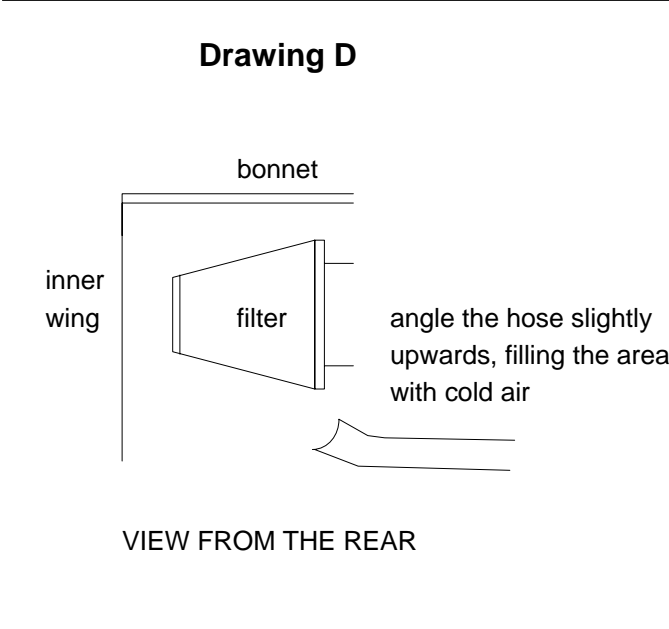


Drawing B

TOP VIEW



Drawing D



Drawing C

