



INTAKE SYSTEMS FOR VEHICLES LISTED ARE 50 STATE LEGAL. SEE KNFILTERS.COM FOR CARB STATUS ON EACH PART FOR A SPECIFIC VEHICLE.

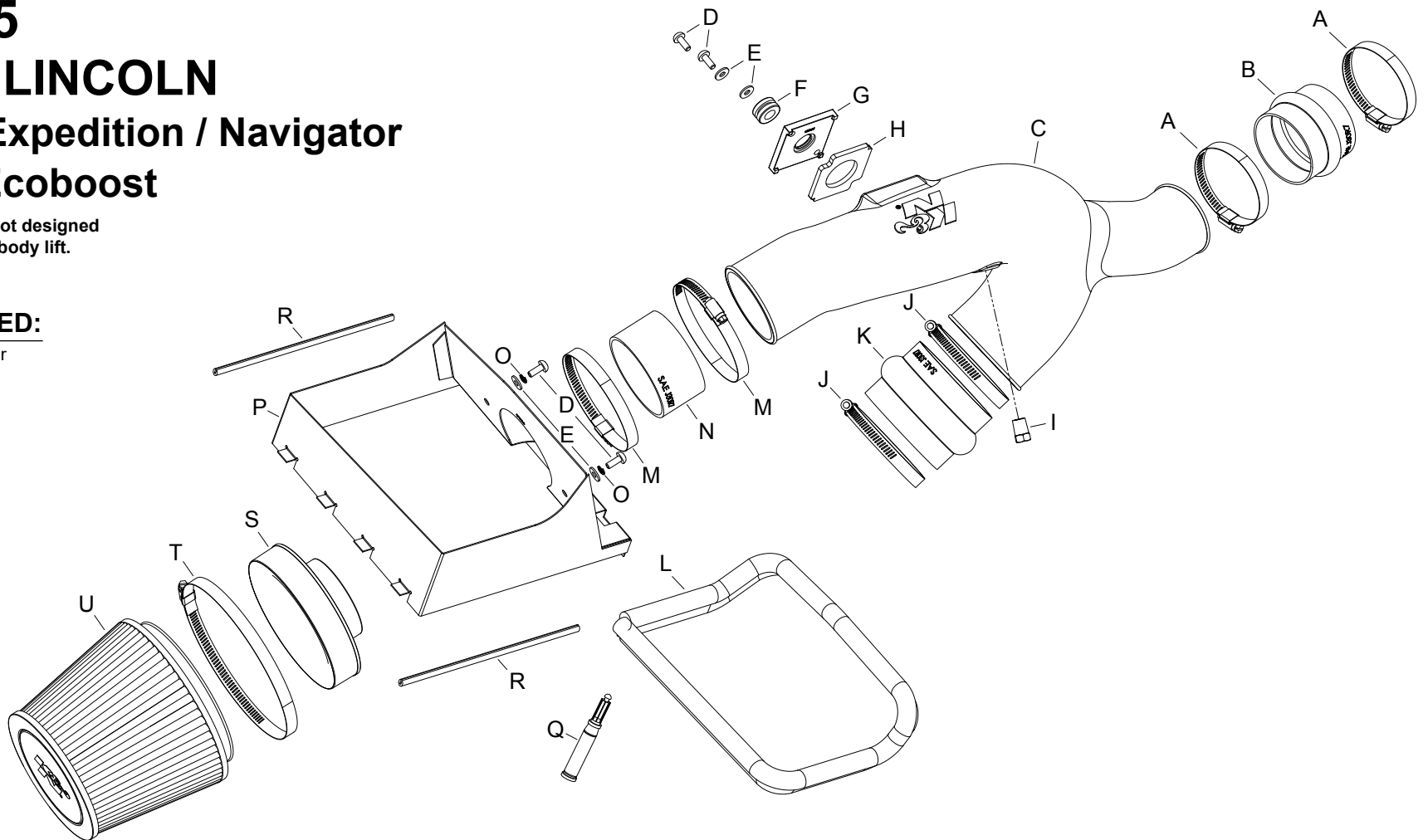
INSTALLATION INSTRUCTIONS

57-2595
FORD / LINCOLN
2015-16 Expedition / Navigator
V6-3.5L Ecoboost

NOTE: This kit was not designed to fit vehicles with a body lift.

TOOLS NEEDED:

- Flat blade screw driver
- 4mm allen
- 9/16" wrench



PARTS LIST:

Description	Qty.	Part #	Description	Qty.	Part #	Description	Qty.	Part #
A HOSE CLAMP #48	2	08601	H GASKET; 57-1003, 3/16 PORON	1	09074	O WASHER, M6 SPLIT LOCK ZINC	2	1-3025
B HOSE; 3" ID X 2-1/2" L HUMP	1	087121	I PLUG; 1/4 NPT, PLASTIC,	1	08032	P HEAT SHIELD	1	073215
C INTAKE TUBE (IP)	1	087257	J HOSE CLAMP #56	2	08620	Q SUPER GLUE, 3G DRIP PROOF	1	409
D BOLT; M6 X 1.00 X 16MM , SS	4	07730	K HOSE; 4" ID X 3" L HUMP	1	08418	R EDGE TRIM (19")	1	102451
E WASHER; 6MM FLAT, SS	4	08269	L EDGE TRIM (39")	1	102496	S ADAPTER; UNIVERSAL, 6"	1	21512-1
F GROMMET; 1"OD, 1/2"ID, 1/2"	1	08064	M HOSE CLAMP #64 STAINLESS	2	08645	T HOSE CLAMP #104	1	08697
G ADAPTER; 63-2583, TEMP	1	088055	N HOSE; 3-1/2" ID X 2" L	1	08698	U FILTER CHARGER	1	RC-5173

If you need any assistance please call 1-800-858-3333 to speak with a representative in our Customer Service Center before returning the product.

NOTE: FAILURE TO FOLLOW INSTALLATION INSTRUCTIONS AND NOT USING THE PROVIDED HARDWARE MAY DAMAGE THE INTAKE TUBE, THROTTLE BODY AND ENGINE.

TO START:

1. Turn off the ignition and disconnect the negative battery cable.

NOTE: Disconnecting the negative battery cable erases pre-programmed electronic memories. Write down all memory settings before disconnecting the negative battery cable. Some radios will require an anti-theft code to be entered after the battery is reconnected. The anti-theft code is typically supplied with your owner's manual. In the event your vehicles anti-theft code cannot be recovered, contact an authorized dealership to obtain your vehicles anti-theft code.



2. Depress the locking tab and then disconnect the inlet air temperature sensor electrical connection.



3. Loosen the three hose clamps that secure the factory intake tube and then remove the factory intake tube from the vehicle.



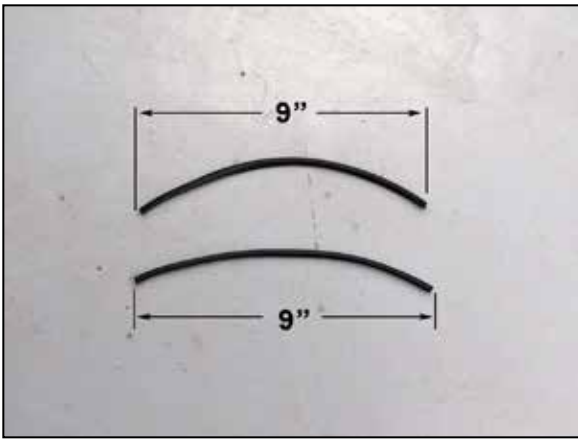
4. Release the three upper air filter housing retaining clips and then remove the upper air filter housing and factory air filter.
NOTE: K&N Engineering, Inc., recommends that customers do not discard factory air intake.



5. Install the provided filter adapter into the heat shield and secure with the provided hardware.



6. Install the "BULB" edge trim onto the top of the K&N® heat shield as shown.
NOTE: Some trimming of the edge trim will be necessary.



7. Cut the provided small edge trim into two 9" long sections.



8. Install the two 9" edge trims onto the bottom of the heat shield and secure with the provided super glue.



9. Install the K&N® air filter onto the filter adapter and secure with the provided hose clamp.



10. Install the provided coupling hose (08698) onto the filter adapter and secure with the provided hose clamp.



11. Remove the center upper air filter housing retaining clip as it will not be used.



12. Install the heat shield assembly onto the lower air filter housing and secure with the factory retaining clip.



13. Install the provided hump coupler (08418) onto the driver's side turbo inlet tube.



14. Install the provided hump coupler (087121) onto the passenger side turbo inlet tube and secure with the provided hose clamp.



15. Install the provided 1/4"npt plug into the K&N® intake tube.

NOTE: Plastic NPT fittings are easy to cross thread. Install the vent fitting "hand" tight, then turn it two complete turns with a wrench.



16. Install the provided gasket onto the temperature sensor adapter plate as shown.



17. Install the provided grommet into the temperature sensor adapter as shown.



18. Remove the inlet air temperature sensor from the factory air filter housing.



19. Remove the O-Ring from the sensor and then install the sensor into the grommet installed into the adapter as shown.



20. Install the inlet air temperature sensor assembly into the K&N® intake tube and secure with the provided hardware.



21. Install the K&N® intake tube into the coupling hoses and then secure with the provided hose clamps.



22. Connect the inlet air temperature sensor electrical connection.



23. Reconnect the vehicle's negative battery cable. Double check to make sure everything is tight and properly positioned before starting the vehicle.

24. The C.A.R.B. exemption sticker, (attached), must be visible under the hood so that an emissions inspector can see it when the vehicle is required to be tested for emissions. California requires testing every two years, other states may vary.

25. It will be necessary for all K&N® high flow intake systems to be checked periodically for realignment, clearance and tightening of all connections. Failure to follow the above instructions or proper maintenance may void warranty.

ROAD TESTING:

1. Start the engine with the transmission in neutral or park, and the parking brake engaged. Listen for air leaks or odd noises. For air leaks secure hoses and connections. For odd noises, find cause and repair before proceeding. This kit will function identically to the factory system except for being louder and much more responsive.

2. Test drive the vehicle. Listen for odd noises or rattles and fix as necessary.

3. If road test is fine, you can now enjoy the added power and performance from your kit.

4. K&N Engineering, Inc., requires cleaning the intake system's air filter element every 100,000 miles. When used in dusty or off-road environments, our filters will require cleaning more often. We recommend that you visually inspect your filter once every 25,000 miles to determine if the screen is still visible. When the screen is no longer visible some place on the filter element, it is time to clean it. To clean and re-oil, purchase our filter Recharger® service kit, part number 99-5050 or 99-5000 and follow the easy instructions.

INTAKE SYSTEMS FOR VEHICLES LISTED ARE 50 STATE LEGAL. SEE KNFILTERS.COM FOR CARB STATUS ON EACH PART FOR A SPECIFIC VEHICLE.