

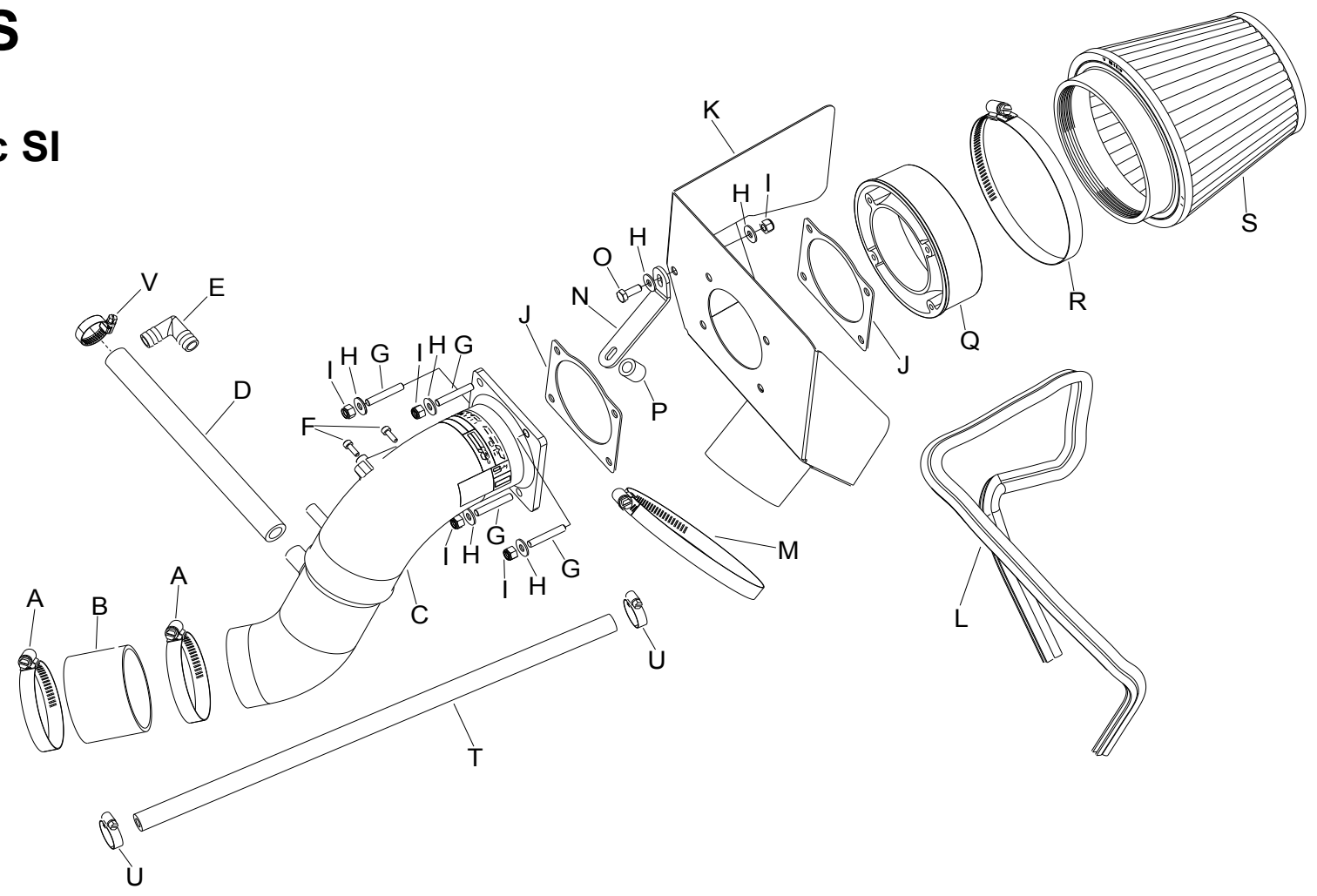


TYPHOON INTAKE SYSTEMS

INTAKE SYSTEMS FOR VEHICLES LISTED ARE 50 STATE LEGAL. SEE KNFILTERS.COM FOR CARB STATUS ON EACH PART FOR A SPECIFIC VEHICLE.

INSTALLATION INSTRUCTIONS

69-1014TS
HONDA
2006-11 Civic SI
L4-2.0L



TOOLS:

- Ratchet
- Extension
- 10mm Socket
- 10mm Wrench
- Pliers
- Flat Blade Screw Driver
- Phillips Screw Driver
- 3mm Allen Wrench

PART LIST

Description	Qty.	Part #
A Hose Clamp #40	2	08554
B Hose; 2-3/4" X 2"L,	1	08440
C Intake Tube	1	27535
D Hose; 5/8"ID X 10"L	1	5-7010
E Vent; 5/8 X 5/8 Plastic Elbow, BLK	1	08072
F Bolt; M4 - 0.07 8MM, A/H Cap, SS	2	07733
G Stud; 6MM-1.00 X 35MM L, SS	4	08220
H Washer; 6MM Flat, SS	6	08269
I Nut; 6MM Nylock, Hexhead, SS	5	07512
J Gasket; 1/16" Neoprene	2	09202
K Heat Shield	1	07354-1
L Edge Trim	1	102499
M Hose Clamp #52	1	08610
N Bracket; "L", STL, FB/PC	1	06507
O Bolt; 6MM-1.00 X 16MM, SS	1	07812
P Spacer; .625"OD X .375"ID X .625"L,ZN	1	07849
Q Adaptor; #350	1	21510
R Hose Clamp #80	1	08694
S Air Filter	1	RU-5147
T Hose; 5/16"ID X 17-1/4"L, EPDM	1	5-2017
U Hose Clamp #004	2	21850
V Hose Clamp #10	1	08411

NOTE: FAILURE TO FOLLOW INSTALLATION INSTRUCTIONS AND NOT USING THE PROVIDED HARDWARE MAY DAMAGE THE INTAKE TUBE, THROTTLE BODY AND ENGINE.

TO START:

1. Turn the ignition off and disconnect the vehicle's negative battery cable.
NOTE: Disconnecting the negative battery cable erases pre-programmed electronic memories. Write down all memory settings before disconnecting the negative battery cable. Some radios will require an anti-theft code to be entered after the battery is reconnected. The anti-theft code is typically supplied with your owner's manual. In the event your vehicles' anti-theft code cannot be recovered, contact an authorized dealership to obtain your vehicles anti-theft code.



2. Disconnect the mass air sensor electrical connection. Un-clip the mass air sensor wiring harness from the upper airbox.



3. Release the spring clamp, then disconnect the EVAP canister hose from the intake tube as shown.



4. Release the crankcase breather hose spring clamp. Release the hose clamp that secures the intake tube to the throttle body.



5. Release the six upper airbox clips, then remove the upper airbox and intake tube assembly as shown.
NOTE: It is necessary to disconnect the crankcase breather tube and un-hook the upper radiator hose clip upon intake tube removal.



6. Remove the one nut and two bolts that secure the lower airbox to the vehicle.
NOTE: This nut will be used again.



7. Un-hook the fresh air supply duct from the lower airbox as shown.



8. Remove the complete lower airbox assembly from the vehicle as shown.

NOTE: K&N Engineering, Inc., recommends that you do not discard your factory air intake.



9. Release the spring clamp that secures the crankcase vent hose to the valve cover, then disconnect the crankcase vent hose from the valve cover.



10. Ensure that the engine is not hot, then release the spring clamp that secures the coolant bypass hose to the intake manifold port. Disconnect the coolant bypass hose from the intake port.

NOTE: Ensure the engine is cool before disconnecting the coolant bypass hose. Capture any lost coolant.



11. Release the spring clamp that secures the coolant bypass hose to the throttle body, then disconnect the coolant bypass hose from the throttle body. Remove the bypass/crank case vent hose assembly from the vehicle.

NOTE: Ensure the engine is cool before disconnecting the coolant bypass hose. Capture any lost coolant.



12. Install the provided bypass hose onto the throttle body and intake manifold ports. Secure with the provided hose clamps.



13. Remove the two screws that secure the mass air sensor to the upper airbox, then remove the mass air sensor as shown.



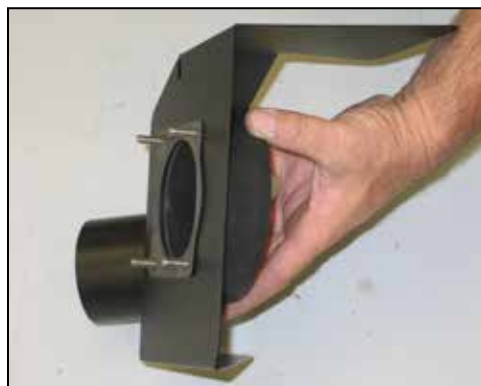
14. Install the mass air sensor into the K&N® intake tube and secure with the provided hardware.



15. Install the four 6mm studs into the air filter adapter; threading them down until they bottom into the insert. Tighten finger-tight.



16. Place one of the provided gaskets onto the air filter adapter as shown.



17. Install the air filter adapter into the heat shield as shown. Place the remaining gasket onto the exposed studs as shown.

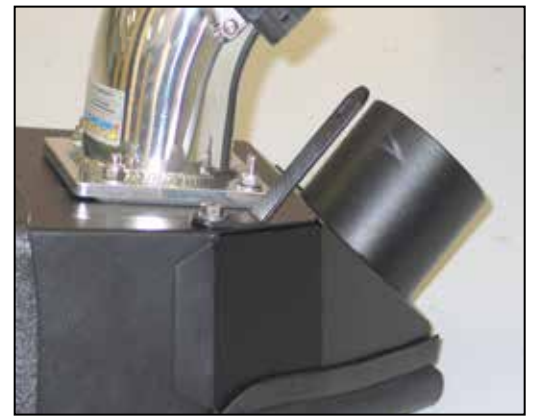


18. Install the K&N® intake tube onto the exposed studs and secure with the provided hardware.



19. Install the provided edge trim onto the heat shield as shown.

NOTE: Some trimming of the edge trim may be necessary.



20. Install mounting bracket (#06507) onto the heat shield using the provided hardware as shown.



21. Install the K&N® air filter onto the air filter adapter and secure with the provided hose clamp.



22. Install silicone hose (#08440) onto the throttle body and secure with the provided hose clamp.



23. Install the provided spacer onto the airbox mounting stud as shown.



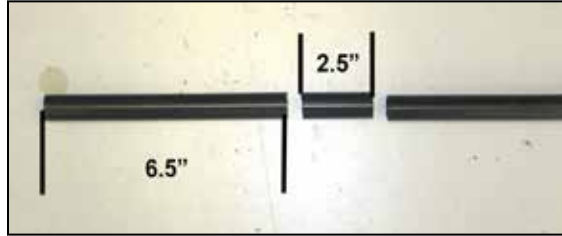
24. Install the provided hose clamp onto the stock fresh air supply hose as shown.



25. Install the intake assembly into the silicone hose at the throttle body and align the mounting bracket with the airbox mounting stud. Secure the intake assembly with the provided hose clamp and the factory nut that was removed in step #6. Secure the fresh air tube to the heat shield with the hose clamp.



26. Install the EVAP hose onto the K&N® intake tube and secure it with the factory hose clamp.



27. Using a knife, cut the provided crankcase vent hose in 2.5" and 6.5" pieces as shown.



28. Assemble the crankcase vent hoses and provided 90° fitting as shown.



29. Install the crankcase vent hose assembly onto the valve cover port and intake tube port as shown and secure it with the provided hose clamp.



30. Re-connect the mass air sensor electrical connection.



31. Replace any lost coolant into the cooling system per manufacturer's instructions.

32. Reconnect the vehicle's negative battery cable. Check to ensure all hose clamps and fittings are properly tightened and positioned correctly before starting the vehicle.

33. The C.A.R.B. exemption sticker, (attached), must be visible under the hood so that an emissions inspector can see it when the vehicle is required to be tested for emissions. California requires testing every two years, other states may vary.

34. It will be necessary for all K&N® high flow intake systems to be checked periodically for realignment, clearance and tightening of all connections. Failure to follow the above instructions or proper maintenance may void warranty.

ROAD TESTING:

1. Start the engine with the transmission in neutral or park, and the parking brake engaged. Listen for air leaks or odd noises. For air leaks secure hoses and connections. For odd noises, find cause and repair before proceeding. This kit will function identically to the factory system except for being louder and much more responsive.

2. Test drive the vehicle. Listen for odd noises or rattles and fix as necessary.

3. If road test is fine, you can now enjoy the added power and performance from your kit.

4. K&N Engineering, Inc., suggests checking the air filter element periodically for excessive dirt build-up. When the element becomes covered in dirt (or once a year), service it according to the instructions on the Recharger® service kit, part number 99-5050 or 99-5000.

INTAKE SYSTEMS FOR VEHICLES LISTED ARE 50 STATE LEGAL. SEE KNFILTERS.COM FOR CARB STATUS ON EACH PART FOR A SPECIFIC VEHICLE.