



# INSTALLATION INSTRUCTIONS

Part Number 85-9491

**This filter fits:** SEE CATALOG FOR CURRENT APPLICATIONS

This adapter is designed to bolt onto one carburetor and allows the use of a K&N Flame Arrestor (sold separately) without requiring the removal of the oil injection system. Please read the following installation instructions thoroughly.

## INSTALLATION

1. Remove the cover from the stock flame arrestor.
2. Disconnect the oil injection hoses at the flame arrestor base.
3. Remove the flame arrestor base from the carburetor.
4. Install the K&N Adapter base plate onto the carburetor using the stock gasket if applicable.
5. Install the plastic hose fittings into the K&N Adapter base plate with a small amount of thread-locking compound.  
**Note:** Hose fitting #1 should point straight down. (Fig. 1)  
**Note:** Hose fitting #2 should point towards the side of the vessel. (Fig. 1)
6. Slide the hoses onto the fittings and secure with the provided cable ties.
7. Trim the excess from the cable ties.
8. Install the K&N Adapter tube onto the K&N Adapter base plate (Fig. 2) using the provided gasket and screws.
9. Install the appropriate K&N Flame Arrestor.

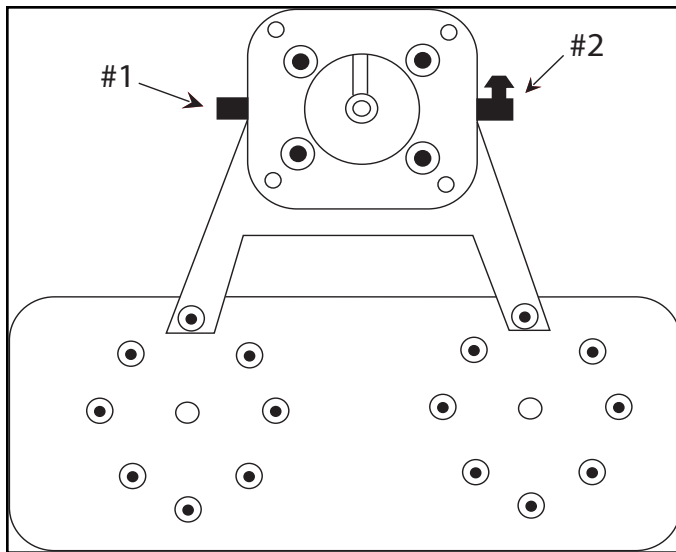


Fig. 1

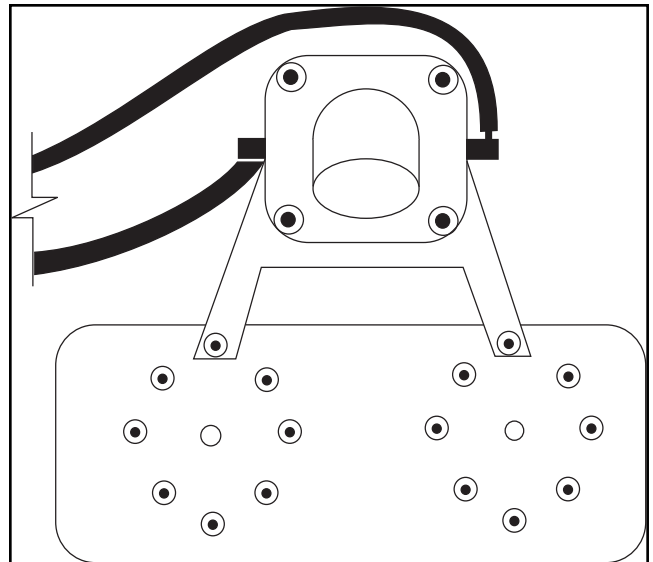


Fig. 2